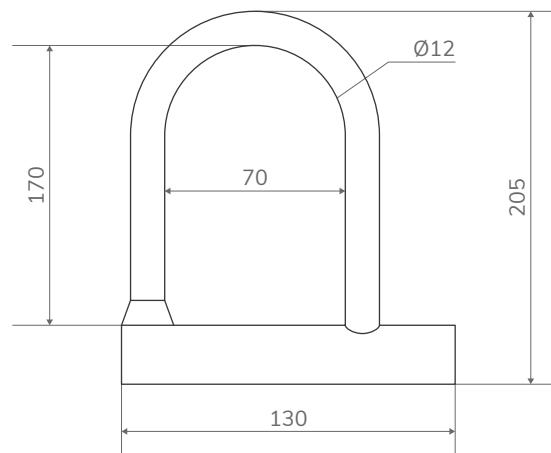




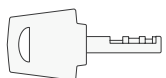
RUBBER PROTECTIVE COATING

APECS BL 12 offers a moderate level security, with a 12mm hardened steel shackle providing great cut resistance. This bike lock is designed to have a simple and sleek look with a rubber protective coating meaning it keeps your frame's paintwork scratch-free.



- Hardened Steel shackle — 12mm
- Weatherproof
- Frost-resistant
- High-security locking mechanism

Material	Brass / Steel
Locking Mechanism	Disc tumbler
Height	205mm
Width	130mm
Shackle	Hardened Steel
Shackle height spacing	170mm
Shackle width spacing	70mm
Number of keys	2
Finish	Chrome & Blue rubber



DISC TUMBLER KEY



ANTI-PICK



ANTI-SAW



WEATHERPROOF



LAB TESTED