

# APECS SECURITY GUARANTEE

## INDUSTRY STANDARDS:

LX5 has achieved the highest level of British lock security standards — BS3621:2007

## APECS STANDARDS:

Every production batch of APECS LX5 is in-house tested, this is confirmed by the seal of excellence hologram on each lock.

**THE LOCK COMES WITH 2 LEVER KEYS  
MADE OF BRASS, AND HAS A FAMILIAR  
BRITISH DESIGN**



SCAN THE QR CODE  
TO WATCH  
PRODUCT VIDEO

Installer's contacts:



**APECS — PROTECTING  
THE HOME, THE WORKSPACE  
AND SPACES IN BETWEEN**

302-303 Harbour Yard,  
Chelsea Harbour,  
London, SW10 0XD

Please contact us if you have any questions:

Tel: +44 (0) 207 349 9888  
WhatsApp: +44 (0) 792 883 2801  
E-mail: [info@apecs.co.uk](mailto:info@apecs.co.uk)  
[www.apecs.co.uk](http://www.apecs.co.uk)

 /apecslocks

 /ApecsLocks

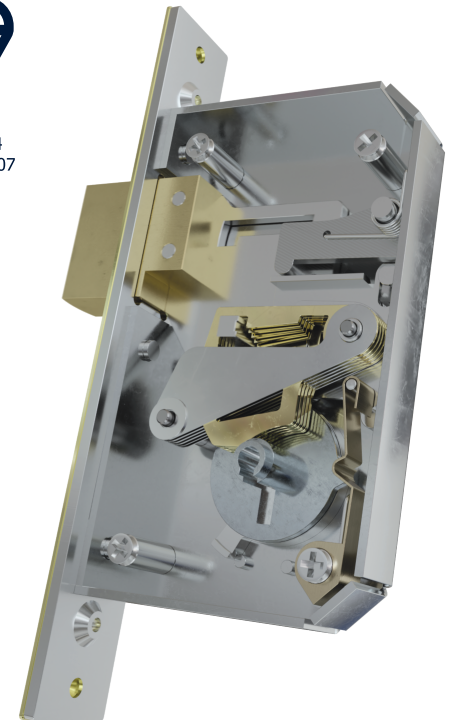
 /apecslocks

**APECS®**

**APECS LX5 —  
HIGHEST LEVEL OF SECURITY  
FOR TIMBER DOORS,  
INSURANCE APPROVED.**



KM687294  
BS3621: 2007

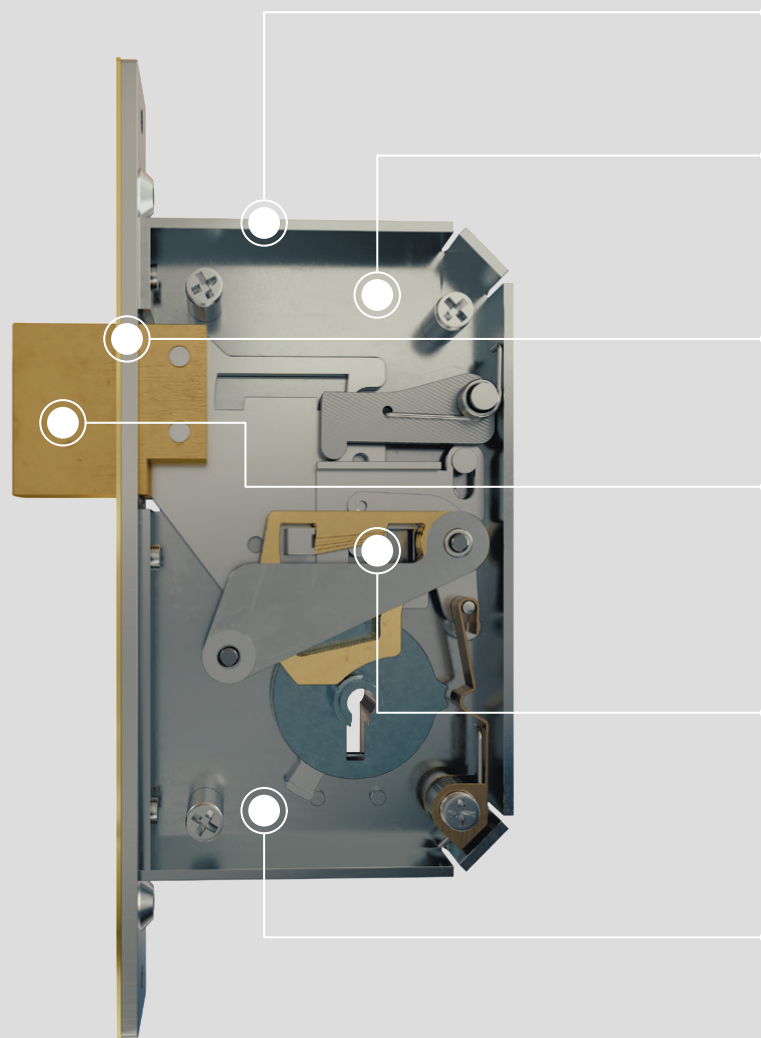


# APECS LX5 – AN IDEAL SOLUTION FOR ENTRANCE DOORS

APECS HAS MODIFIED THE TRADITIONAL BRITISH 5-LEVER HIGH SECURITY DEADLOCK, BY DEVELOPING ITS OWN UNIQUE SPRINGLESS MECHANISM.

APECS LX5 protects from all common methods of attack and is insurance approved, allowing you to get a discount on your premiums for your home insurance.

The lock can be installed in many UK mortises without the need for additional carpentry or spoiling the edge of the door, making it an ideal retrofit upgrade for 5 lever deadlocks on the market, as well as a great choice for new entrance doors.



## HARDENED STEEL PLATES

On each side to withstand severe drill attacks.

## EXTRA SECURITY

Can be fitted with double pole micro switch to have the door additionally secured with an alarm.

## UNIVERSAL APPLICATION

Can be fitted on left side or right hand side doors.

## EXTRA STRONG 20MM DEADBOLT

Made of solid brass and has additional Hardened Steel pins, which guarantees the highest level of protection from drilling and sawing.

## SPRINGLESS LEVER MECHANISM

Unique mechanism, developed by APECS, that delivers lost motion action, and maximizes the level of protection from picking.

## SYNCHRONIZING CAM THROWER

Helps to deliver lost motion action and aids in delivering long-lasting durability.

**10** YEARS  
GUARANTEE



Anti-pick



Anti-drill



Anti-saw



L ↔ R



KM687294  
BS3621: 2007